

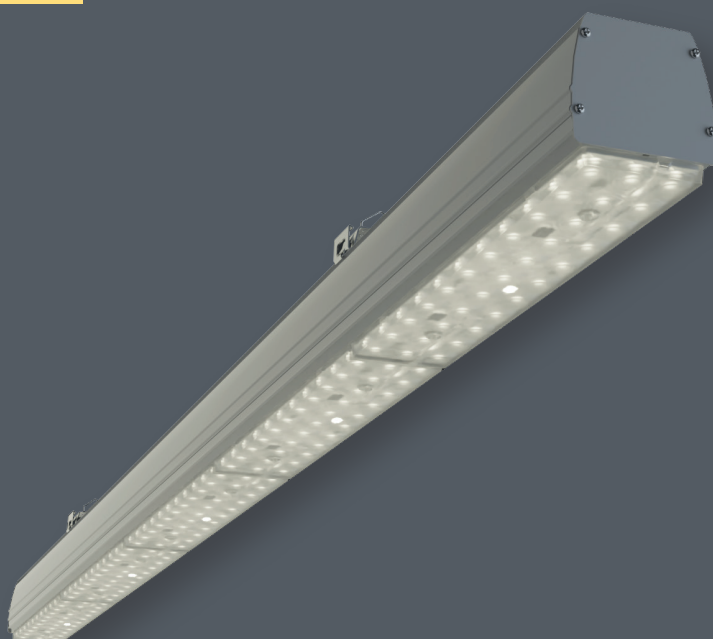
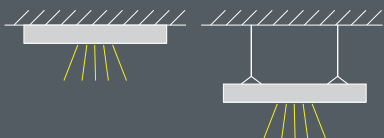
SLIM LED LINE

FIELD OF APPLICATION

Due to its trunking system design the SLIM LED LINE lighting system is suggested for general illumination of industrial facilities, assembly and storage halls, shops, and department stores.

LED lens with different beam angles are available to meet the requirements for a wide range of uses.

The luminaires include the 3-phase operation (7x2,5mm² wires included) with quick connectors, which greatly reduces installation time.



BASE MATERIAL

Housing of luminaire: Extruded aluminum profile painted with epoxy polyester based powder paint.

LED lense: High light transmission PMMA.

INSTALLATION

The luminaires can be flush mounted onto the ceiling or suspended.

WIRING

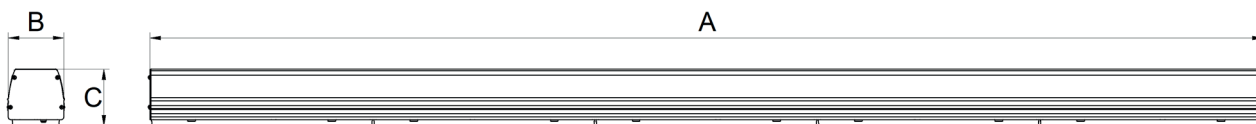
With 3-phase (7x2,5mm² wires) wiring, with quick connector set. Using 1-phase wiring, the maximum number of luminaires allowed to be connected in one continuous line is 12, maximum of 50m length. Using 3-phase wiring, a maximum of 3300W total wattage light system can be operated. Electrical planning is needed before the installation of the light system.

warranty 5 year	LED	230V 50Hz	CRI >80	SDCM 3	CCT 4000K	IP 40			Ta 25°C	CE
------------------------------	------------	----------------------------	-----------------------------	-------------------------	----------------------------	------------------------	--	--	--------------------------	-----------

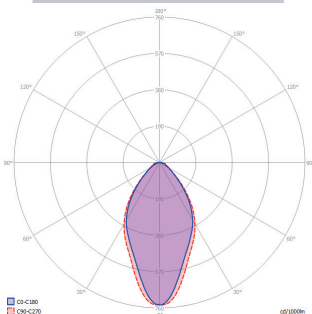
Order number	Type	LED Modules luminous flux (lm)	LED Modules efficiency (lm/W)	Luminaire luminous flux (lm)	Luminaire efficiency (lm/W)	LED Modules power (W)	Luminaire power (W)	A (mm)	B (mm)	C (mm)
60 000 000 5440	SLIM LED LINE-82	13930	178	11850	144	78	82	1440	72	75

Options:

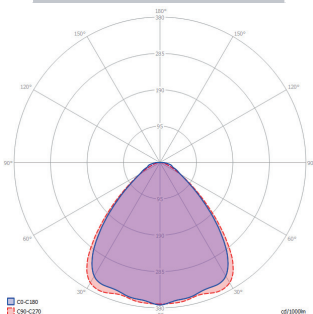
CRI >90	CCT 3000K			
-----------------------------	----------------------------	--	--	--



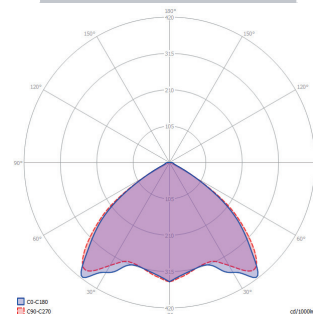
SLIM LED LINE 60° BEAM ANGLE



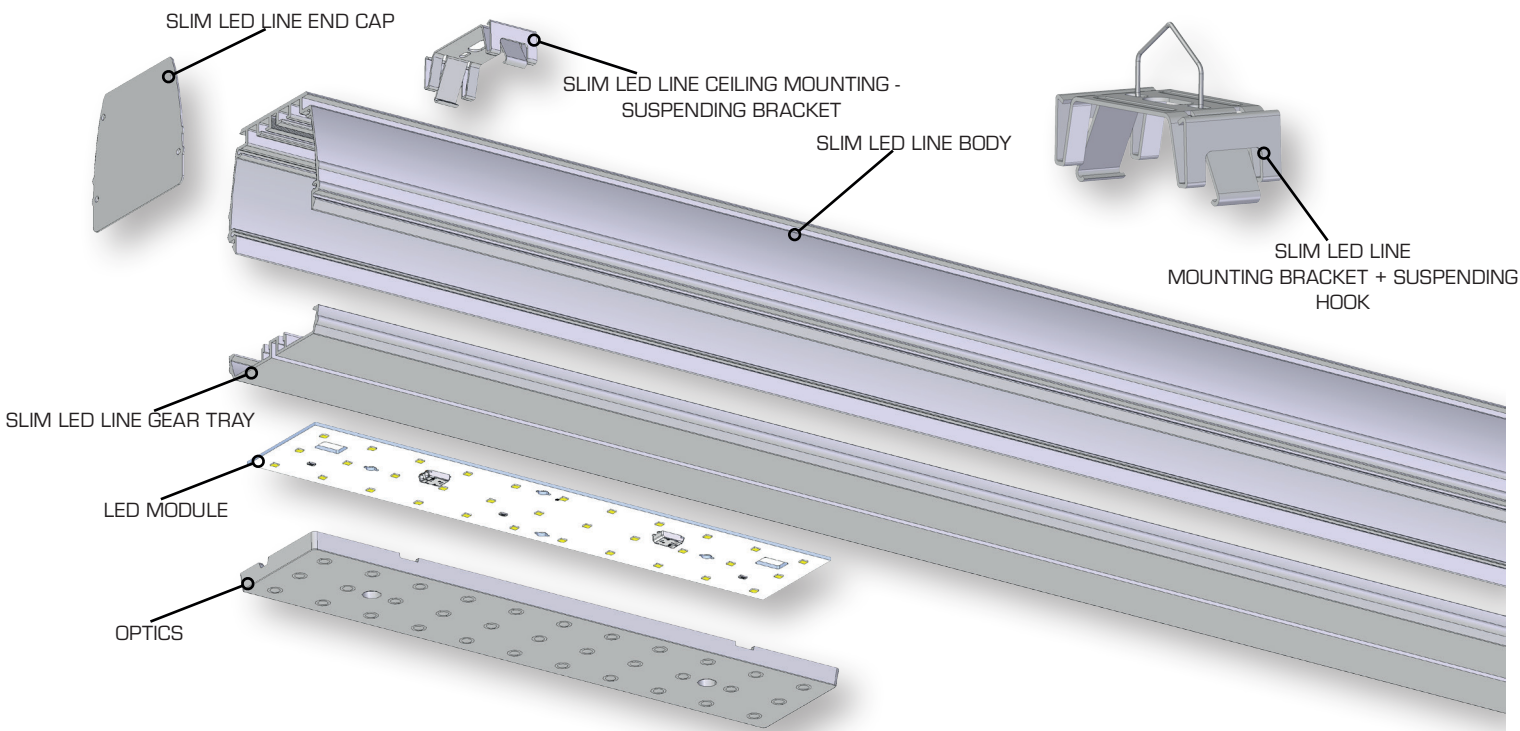
SLIM LED LINE 90° BEAM ANGLE



SLIM LED LINE 110° BEAM ANGLE

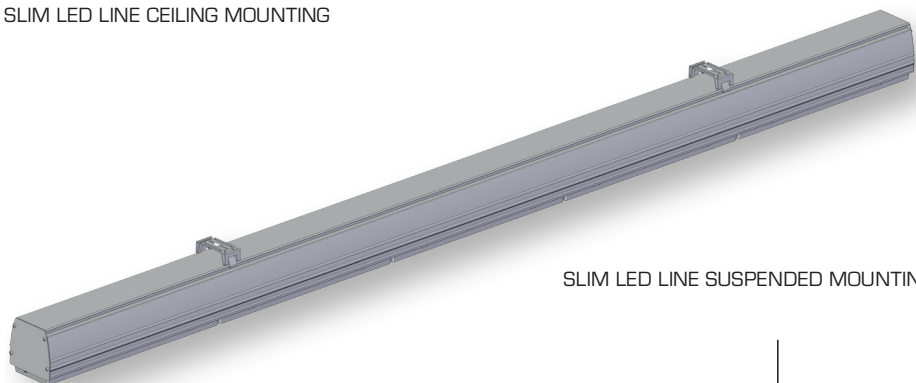


SLIM LED LINE PARTS



Order number	Type	A (mm)	B (mm)	C (mm)
52 000 000 0493	SLIM LED LINE-1440 BODY	1440	72	74
52 000 000 0487	SLIM LED LINE-2880 BODY	2880	72	74
60 000 000 5445	SLIM LED LINE-1440 BODY (7x2,5mm ² wires)	1440	72	74
60 000 000 5444	SLIM LED LINE-2280 BODY (7x2,5mm ² wires)	2880	72	74
52 000 000 0482	SLIM LED LINE END CAP	-	-	-
52 000 000 0484	SLIM LED LINE END CAP INPUT	-	-	-
52 000 000 0485	SLIM LED LINE CONNECTING PIECE	-	-	-
13 000 000 120	SLIM LED LINE CEILING MOUNTING - SUSPENDING BRACKET	-	-	-
13 000 000 121	SLIM LED LINE SUSPENDING HOOK	-	-	-
28 000 000 047	SLIM LED LINE - PLASTIC COVER 1440	-	-	-
28 000 000 046	SLIM LED LINE - PLASTIC COVER 1690	-	-	-
13 000 000 009	SLIM LED LINE SUSPENSION 2m	-	-	-
60 000 000 5504	SLIM LED LINE INPUT 290mm (7x2,5mm ² wires) right side input (female conn.)	-	-	-
60 000 000 5504	SLIM LED LINE INPUT 290mm (7x2,5mm ² wires) left side input (male conn.)	-	-	-

SLIM LED LINE CEILING MOUNTING



SLIM LED LINE SUSPENDED MOUNTING

